



Hydraulic Royal® Model Flushometer

995



Description

Concealed hydraulically activated urinal flushometer, for 3/4" rear spud high efficiency urinals.

Flush Cycle

- Model 995-0.125 (0.125 gpf/0.5 Lp)
- Model 995-0.25 (0.25 gpf/1.0 Lpf)
- Model 995-0.5 (0.5 gpf/1.9 Lpf)

Specifications

Quiet, Concealed, Diaphragm Type, Rough Brass Urinal Flushometer for either left or right hand supply with the following features:

- For Flushing Volumes 0.125 and 0.25: Dual Linear Filtered Bypass Diaphragm
- For Flushing Volumes 0.5: Dual Filtered Bypass Diaphragm
- ADA Compliant Non-Hold-Open feature type Actuator (specify Actuator type listed below)
- 3/4" I.P.S. Wheel Handle Bak-Chek® Angle Stop
- Adjustable Tailpiece
- Vacuum Breaker
- Elbow Flush Connection and Spud Coupling for 3/4" Concealed Back Spud
- Sweat Solder Adapter
- High Copper, Low Zinc Brass Castings for Dezincification Resistance
- Non-Hold-Open Handle, Fixed Metering Bypass and No External Volume Adjustment to Ensure Water Conservation.
- Flush Accuracy Controlled by CID Technology
- Diaphragm, Handle Packing, Stop Seat and Vacuum Breaker to be molded from PERMEX® Rubber Compound for Chloramine Resistance.

Valve Body, Cover, Tailpiece and Control Stop shall be in conformance with ASTM Alloy Classification for Semi-Red Brass. Valve shall be in compliance to the applicable sections of ASSE 1037 and ANSI/ASME 112.19.6.

L Dimension

Specify the "L" Dimension for the proper length of the Flush Connection. The "L" Dimension is equal to the Wall Thickness (to the nearest whole inch) plus 2 3/4".

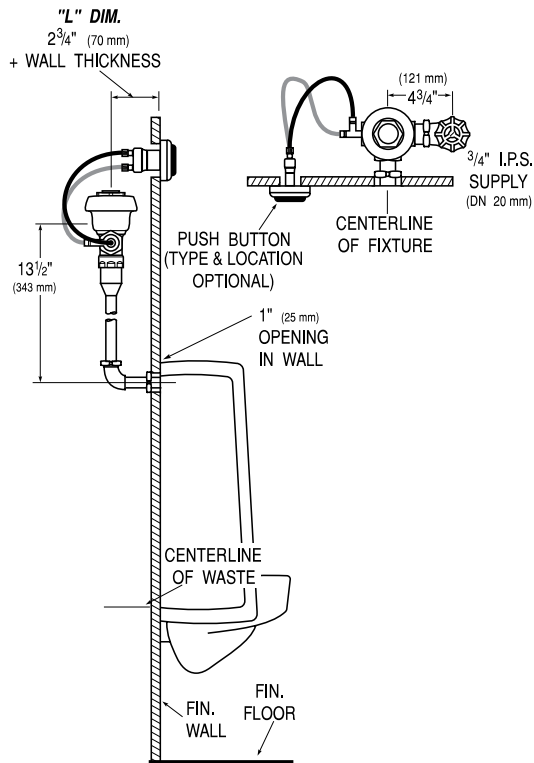
Actuator Types: (Please Check One)

- | | |
|--------------------------------------|--|
| <input type="checkbox"/> FW | Fixture Wall Actuator (HY-33-A) (rear access required) |
| <input type="checkbox"/> MP | Metal Partition Actuator (HY-49-A) |
| <input type="checkbox"/> SW | Side Wall Mounted Actuator (HY-72-A) |
| <input type="checkbox"/> MBFW | Metal Button Fixture Wall Actuator (HY-100-A) (rear access required) |
| <input type="checkbox"/> MBPM | Metal Button Panel Mount (HY-108-A) |

See actuator Specification pages in this section for details on Actuators.

See Accessories Section of the Sloan catalog for details on these and other flushometer variations.

Hydraulic flushometers can also be provided in Regal® and Sloan® models. All rough-in dimensions remain the same. Consult the factory.



Made In The
USA



Sloan Valve Company is buying renewable energy certificates to meet 100% of the company's purchased electricity use at its Franklin Park, Illinois facility.



This space for Architect/Engineer approval